

OBSTRAUPE

**OPERATING
INSTRUCTIONS
OBSTRAUPE
SILVER FOX 04**

**A FRUIT HARVESTER FROM
ORGANIC TOOLS GMBH**

VERSION 4.0 (06-03-2023)

SILVER FOX 04

INSTRUCTION MANUAL

1	WARNINGS AND NOTES	3
	- IMPORTANT SAFETY INSTRUCTIONS AND WARNINGS	3
	- EXPLANATION OF SYMBOLS	3
	- TYPE PLATE	5
	- IMPORTANT OPERATING INSTRUCTIONS	5
2	GENERAL VIEW	7
3	DESCRIPTION, OVERVIEW	8
	- FUNCTION	8
	- TECHNICAL DATA	8
4	COMMISSIONING	9
	- SCOPE OF DELIVERY	9
	- UNPACKING	10
	- MOUNTING THE WHEELS	11
	- MOUNTING THE LEAF BRUSH	12
5	CONFIGURATION	13
	- ADJUSTING THE HANDLE	13
	- ASSEMBLY OF THE HANDLE BRUSH	14
6	OPERATION	15
	- SWITCHING ON / SWITCHING OFF THE BATTERY	16
	- HARVESTING FRUIT	17
	- ADJUSTING THE SPEED	17
	- INSERTING / CHANGING THE FRUIT BOX	18
	- TIPS FOR DRIVING	19
	- HOW TO USE THE OBSTRAUPE?	19
7	AFTER WORK	20
	- HANDLING THE BATTERY	20
	- CLEANING	22
	- MAINTENANCE AND STORAGE	23
	- MAINTENANCE OF THE PEDESTAL BEARING	24
	- CHANGE OF FINS	26
	- DISPOSAL	27
8	CE DECLARATION OF CONFORMITY	27
9	WARRANTY AND GUARANTEE	28

1 – WARNINGS AND NOTES

Important safety instructions / warnings

Read the manual carefully and completely before using the hand-held fruit picker „Obstraupe“! Before each use, take a little time to familiarise yourself with your Obstraupe. The operator must read and understand all safety and warning instructions, the operating instructions and information on maintenance and storage before operating the unit. Failure to properly operate and maintain the fruit dozer may result in injury to the operator or bystanders. Keep this manual in a safe place so that the information is always available. If you lend the machine to another person, hand over this instruction manual and the safety regulations to them.

The warnings, hazards and instructions in this instruction manual cannot cover all possible conditions or situations that may occur. The operator must be aware that clear sense and caution are factors that cannot be built into the product and must be ensured by the operator.

Explanation of symbols

The following symbols and signal words are used in these operating instructions or on the product:



CAUTION!

– This signal word indicates a hazard with a low degree of risk which, if not avoided, may result in a minor or moderate injury.



NOTE!

– This signal word warns of possible material damage or gives you useful additional information on assembly or operation.



Declaration of conformity

Products marked with this symbol comply with all applicable Community regulations of the European Economic Area (see chapter „CE Declaration of Conformity“).



Warning against hand injuries

This symbol indicates a risk of hand injury.



Warning of running rollers

This sign indicates hazards due to the running collection roller on the machine.



Rotation warning

This symbol indicates possible hazards due to the start-up of the collecting roller when the operating lever is actuated.



No high pressure cleaner

This symbol indicates that high-pressure cleaners must not be used to clean the appliance.



Made in Austria

This symbol indicates that the majority of the product Obstraupe Silver Fox 03 is developed, manufactured, assembled and distributed in Austria.



Type plate

The type plate contains the following information:

- Full address of the person placing the machine on the market
- Designation of the machine
- Designation of the type or series of the machine
- Serial number
- Technical data: electrical voltage and power
- Year of manufacture
- CE marking

Important operating instructions



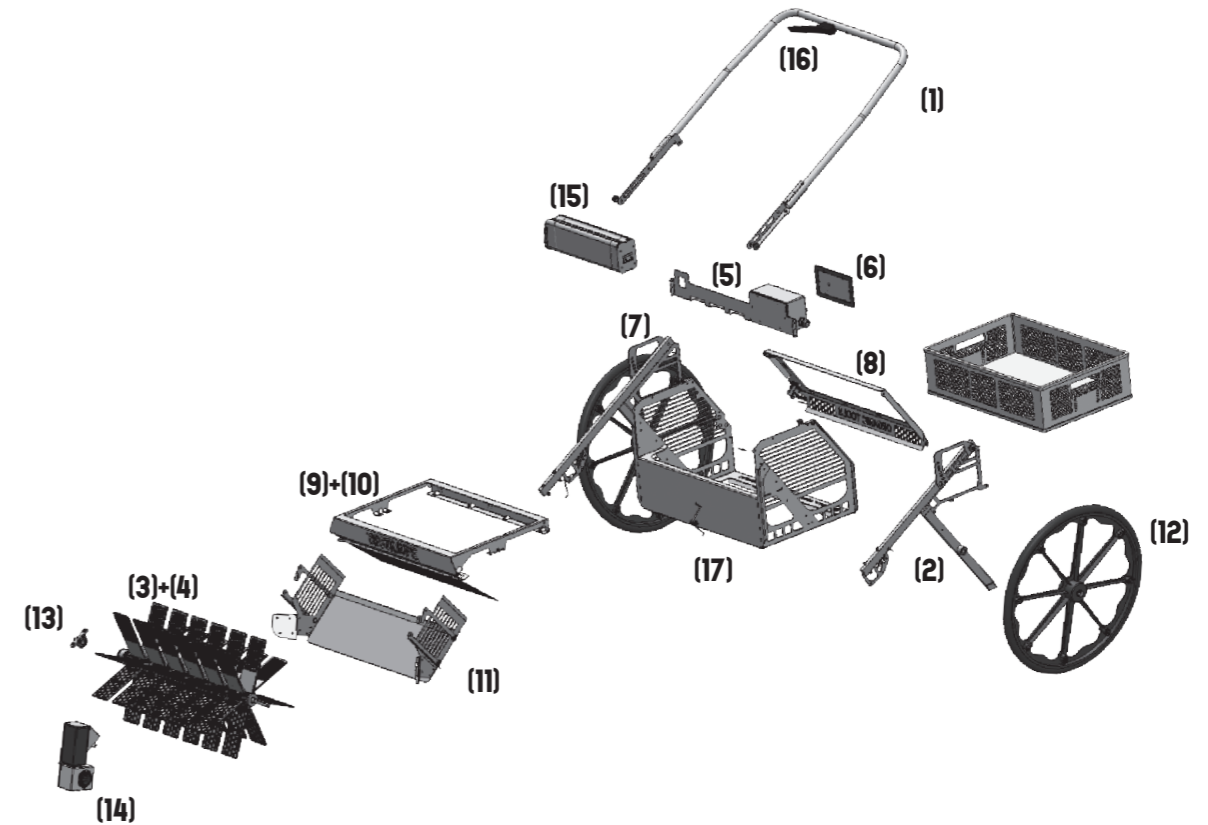
CAUTION!

- Dangers for children and persons with reduced physical, sensory or mental abilities.

- 1 — Observe local regulations regarding the minimum age of the operator. Children or other persons who do not know the operating instructions must not use the appliance.
- 2 — The fruit picker can be used by children aged 10 and over, and persons with reduced physical, sensory or mental capabilities or lack of experience and knowledge if they have been given supervision or instruction concerning use of the appliance in a safe way and understand the hazards involved.
- 3 — Do not use the fruit picker as a play device.
- 4 — Do not operate the appliance while under the influence of alcohol, drugs or medication.
- 5 — Do not leave the unit unattended when it is ready for use (remove the battery key if necessary).
- 6 — Always operate the device alone and watch out for bystanders.
- 7 — Always use eye protection and work clothing when operating the appliance.

- 8 — Do not place the fruit picker too close to a fire, as the battery, the collecting blades and the tyres are easily combustible. Take care when using on uneven terrain, ditches and slopes to prevent slopes to prevent tipping over.
- 9 — When working on slopes:
 - Always ensure a safe footing
 - Preferably work across the slope
 - For safety reasons, do not use on slopes with a gradient of more than 50
- 10 — Only work in sufficient daylight or artificial lighting.
- 11 — Keep body, limbs and clothing away from rotating and moving parts.
- 12 — Do not transport people on the machine.
- 13 — Do not transport an additional load of more than 20 kg (1 full box of 17 cm) with the implement.
- 14 — Be aware of traffic when collecting fruit near roads.
- 15 — Always inspect the fruit picker before use to ensure that it is in good working order.
- 16 — Inspect nuts, bolts, screws and rivets and tighten if necessary to ensure that the unit can be operated safely.
- 17 — The unit should be inspected for damage after it has been struck by a foreign object.
- 18 — Replace or repair damaged or worn parts immediately before operating the unit.
- 19 — Operate the unit only with fully installed, undamaged guards (e.g. tailgate closed).
- 20 — The drive lever must not be fixed.
- 21 — Never connect the fruit picker to a motor vehicle.
- 22 — Check the terrain completely and carefully before using the device and remove foreign bodies (branches, stones, etc.).

2 – GENERAL VIEW



- | | |
|---|--|
| (1) HANDLE | (8) REAR FLAP |
| (2) FRAME | (9) BOX RACK WITH ... |
| (3) PICKUP ROLLER WITH ... | (10) LEAF BRUSH |
| (4) 48 PICKUP FINS | (11) TRANSFER PLATE |
| (5) BATTERY HOLDER / CONTROLLER HOUSING | (12) WHEELS |
| (6) CONTROLLER HOUSING COVER WITH POTENTIOMETER FOR SPEED CONTROL | (13) PEDESTAL BEARING WITH GRASS WRAP PROTECTION |
| (7) TRANSPORT HANDLES | (14) ELECTRIC MOTOR |
| | (15) BATTERY |
| | (16) CONTROL LEVER |
| | (17) BOX FRAME |

3 – DESCRIPTION, OVERVIEW

Function

The Obstraupe, model Silver Fox 04, is a fruit picker and is used to gently and efficiently pick up fruit and nuts (e.g. apples, pears, walnuts) from the ground into a replaceable container to facilitate the harvesting of quality processing fruit.

The Obstraupe stands on two 24“ plastic solid rubber wheels **(12)**. Via a collecting roller **(3)** with 48 plastic slats **(4)**, the Obstraupe picks up objects lying on the ground and guides them backwards via a transfer grate **(11)** into an exchangeable collecting container. The Obstraupe is gripped by a handle **(1)** and moved by muscle power. A drive lever **(16)** is mounted on the handle. This drives the electric motor **(14)** via a controller, powered by a battery **(15)**, which subsequently drives the collecting roller **(3)**. A rear flap **(8)** that can be swivelled upwards at the rear of the unit and a side panel prevent the collected objects from falling out. The tilted wheel position, in conjunction with clearers (small plates attached to the pick-up grate at an angle), prevents / minimises the unintentional running over of and damage to fruit. The handlebar can be adjusted in height by means of locking pins on both sides of the frame and can also be folded for transport and storage. Additional empty crates (up to 3) can be transported on the central crate depot **(9)** of the Obstraupe. This depot can be folded upwards and thus enables convenient cleaning of the unit inside. Optionally, a leaf brush **(10)** can be mounted on the box store **(9)** to minimise leaf / grass contamination.

Technical data

Dimensions	Length: 125 cm / Width: 84 cm / Height (max): 112 cm
Working width	74 cm
Weight	Empty weight: 29 kg Operating weight: incl. battery and box: 33 kg
Fruit box	Dimensions: 60 cm x 40 cm x 17 cm / Volume: 34 ltr
Picking capacity	Up to 1 t/h
Wheels	24“ plastic rims with PU solid rubber tyres
Device type	Hand-operated
Drive	Electric; brushless 300W gear motor; Battery with 48 V
Fruit types	Apples, pears, walnuts, chestnuts, hazelnuts, apricots / apricots, plums / prunes

4 – COMMISSIONING

Scope of delivery

The Obstraupe unit is delivered pre-assembled. Before assembly, read the operating and safety instructions in the operating manual. Failure to follow these instructions may result in damage to property or injury to the operator or bystanders.

A	Basic unit Obstraupe (pre-assembled)
B	Wheels (12) (2x)
C	Collector blades (4) with spacers (48x pre-assembled, 2x reserve)
D	Leaf brush (10) (1x)
E	E-bike battery with key
F	For wheel assembly: hexagon head bolt (2x) / snap ring (2x) / hub cap (2x) / washer (4x) - all M12
G	For brush assembly: gate band screw (2x) / washer PA (2x) / wing nut (2x)

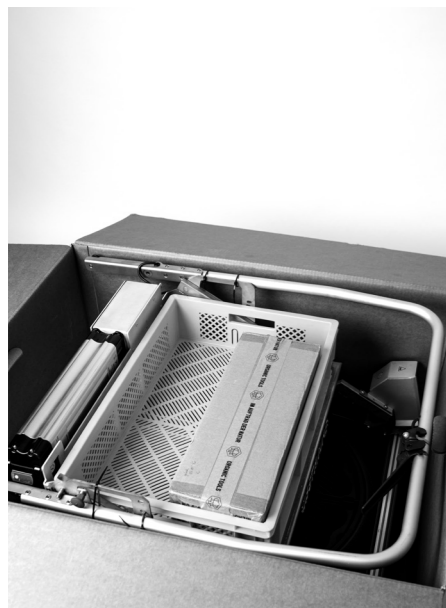
Unpack

Open the shipping box and lift the Obstraupe out of the shipping box by two people using the handles (7).



CAUTION!

– Lift the unit only by the handles provided, not by the handle bar (1).



Mounting the wheels

Assembly set F:

- 2 x Wheel bolt
- 2 x Snap ring
- 4 x Washer
- 2 x Hub cap



1. Push the snap ring onto the wheel bolt.
2. Push 1 x mounting washer onto the wheel bolt.
3. Push the wheel bolt through the wheel bearing from the outside. On the inside, the wheel is flush with the ball bearing.
4. push on the second mounting washer.
5. first tighten the wheel bolt by hand until it grips the frame.
6. tighten the wheel very firmly with a 19mm spanner.
7. Fit the cover cap onto the wheel.
8. repeat the process on the other side.

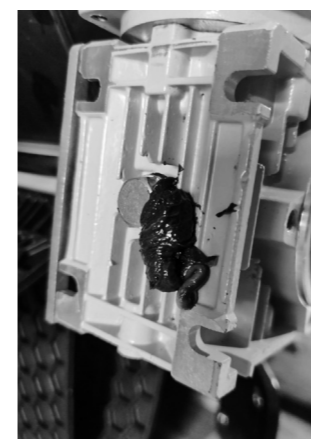


IMPORTANT!

– Check the wheel bolts regularly for tightness.

Initial operation of the electric motor

Turn on the Obstraupe for a few minutes before the first use in the field (see **6-Operation**). On the front of the yellow gearbox of the motor (14) there is a vent cap. It may happen that grease escapes here. This effect will especially be noticed during the first use but can also occur during operation from time to time.



Mounting the leaf brush

The leaf brush (10) supplied is not fitted as standard. It is used for pre-cleaning (leaves, grass residues) especially for nuts or late pear varieties where sorting exclusively by means of the sorting table* is not sufficient.

* Sorting table Sortier! is the best friend of the Obstraupe and can be purchased in our online shop.

Assembly set G:

- 2 x Gate hinge screw M5
- 2 x Washer plastic
- 2 x Wing nut M5



1. Open the box store (9).
2. Mount the leaf brush (10) on the front of the box store, as shown in the photo below.



3. To do this, push the gate hinge screws from the inside out through the square holes at the front of the box bearing. Position the leaf brush, then a washer. Fix everything with a wing nut.

5 – CONFIGURATION OF THE MACHINE

Adjusting the handlebar

Pull out the two locking pins of the handlebar (1) and turn them in the tightened state until they remain in the tightened position (approx. 90°).



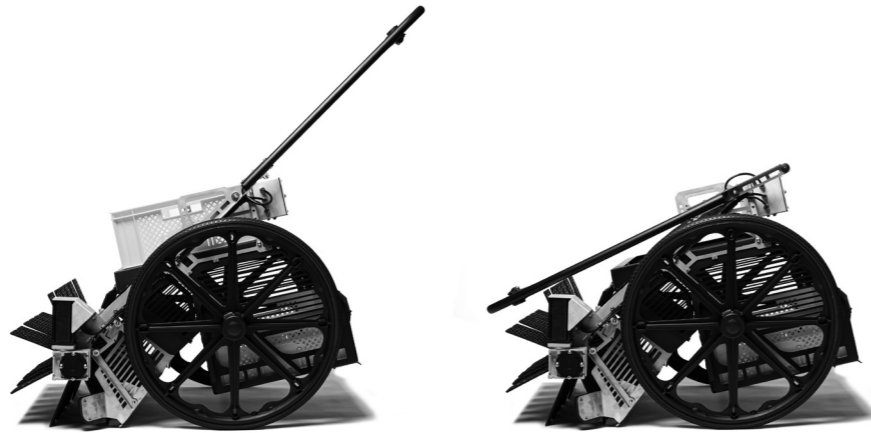
Adjust the handle (1) of the fruit picker to your height at hip height and fix it again by turning the locking pins until they engage in one of the holes. Make sure that both sides have snapped into place at the same height!



Folding the handlebar

The Obstraupe can be folded for space-saving transport and storage.

1. Loosen the two black black locking pins on the handlebar (1).
2. Swivel the handle bar (1) fully forwards.
3. Fix the handle bar (1) by means of the red locking pin, in order to fingers from being squeezed during transport.



CAUTION!

– Never use the handlebar for lifting and prevent lateral loads on the handlebar during transport, as this may cause the red latch pin to loosen!

6 – OPERATION



IMPORTANT!

– The grease in the gearbox of the Obstraupe is still solid at the beginning of operation. Therefore, it may happen that the machine switches off quickly at the beginning of your harvest. This effect should be over after a few minutes, as soon as the grease is at operating temperature.



IMPORTANT!

– For reasons of efficiency, we recommend using the unit only up to a grass length of 15 cm.

Take care not to place the fruit picker in direct sunlight. High temperatures may cause deformation of the collection slats (4).



CAUTION!

– A prolonged load on the electric motor (14) may cause it to become hotter.

Switching on / off and removing the battery



IMPORTANT!

– An e-bike battery (15) with 48 volts is used as the energy source for the electric motor of the Obstraupe. All performance and safety instructions described here refer to this original spare part.

1.

Insert the key into the ignition lock and turn the key to the „ON“ position. The battery is now switched on.



2.

To check the charge status, press the small button on the outer front next to the ignition lock when the battery is switched on. The first indicator light is always red, the second and third green.



3.

To remove the battery, press the key inwards and to the left until it is in the „UNLOCK“ position. The battery can now be removed by pulling it with the bracket in the vertical position.



CAUTION!

– The handlebar has no fixing possibility in the vertical position. Therefore, always hold the handle with one hand when installing or removing the battery.



IMPORTANT!

– Always set the key to „OFF“ when you are not using the unit. The electronics of the motor will otherwise consume energy unnecessarily and reduce the battery power!

Collect fruit

The drive lever (16) mounted on the handlebar (1) sets the Obstraupe's collecting roller (3) in motion for harvesting fruit.



IMPORTANT!

– Lubricate the joint of the drive lever regularly, to ensure that it moves smoothly.

Adjusting the speed

The speed of the collecting roller can be infinitely adjusted via a potentiometer on the controller housing cover (6). Adjust the speed range of the Obstraupe to the given conditions before or during operation. The higher the density of deposits on the ground or the larger and heavier the fruit to be harvested, the higher the speed should be.

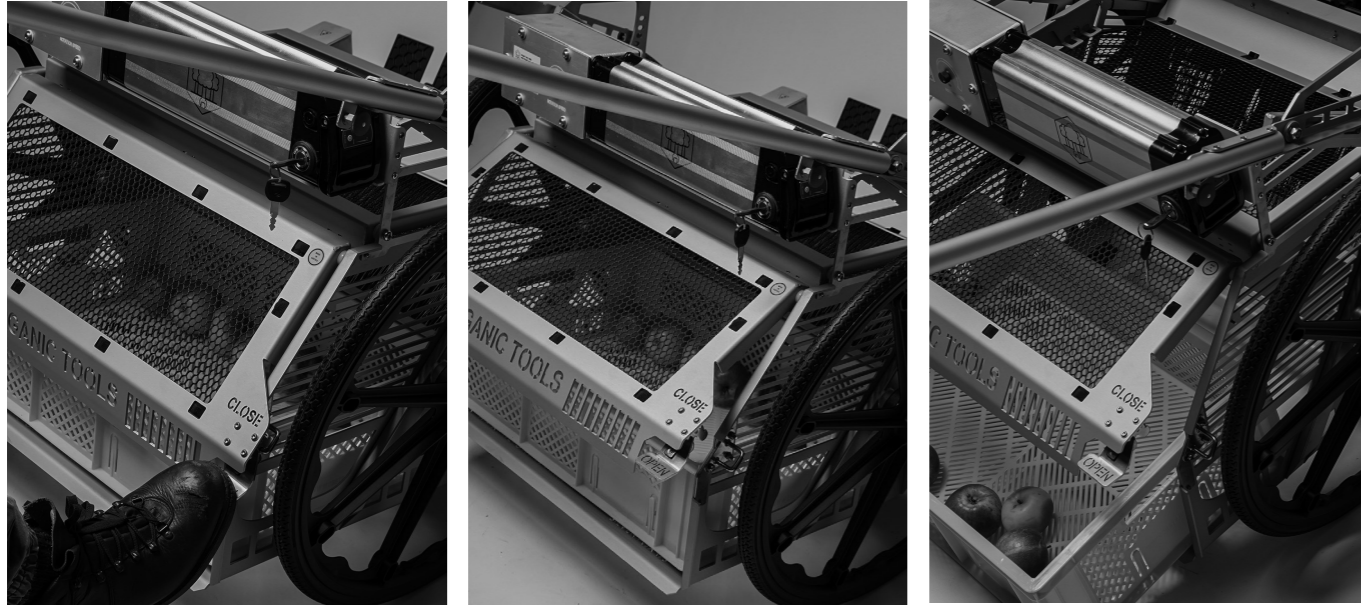


IMPORTANT!

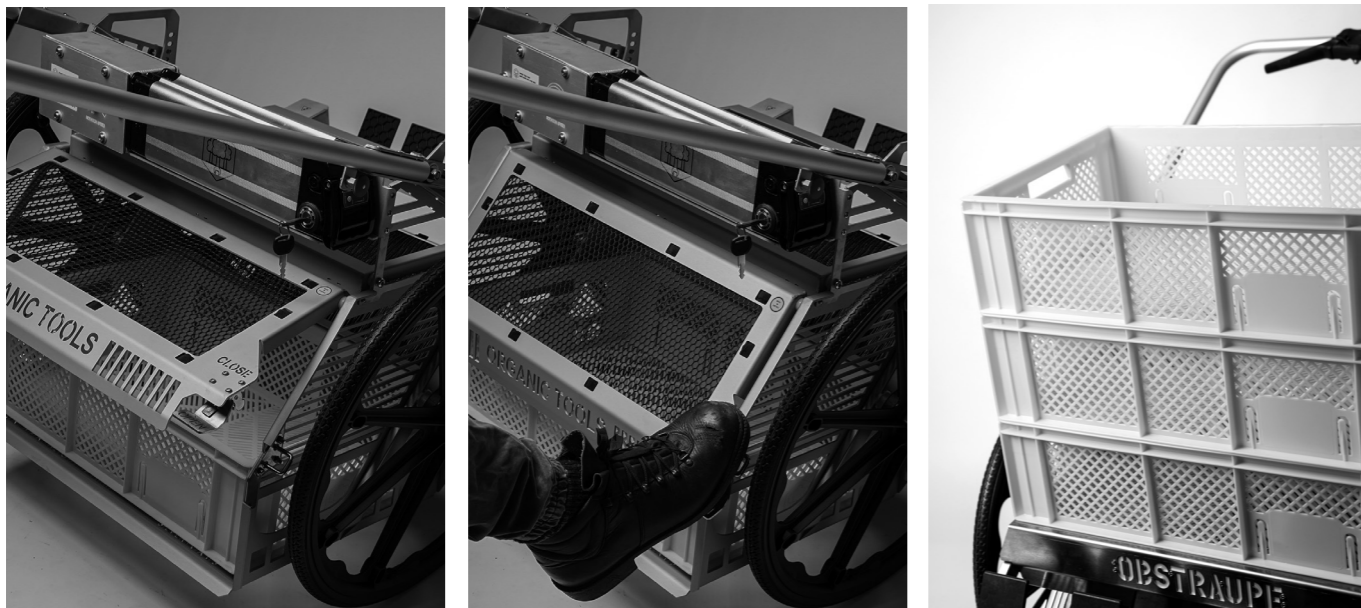
– Do not set the speed higher than necessary to avoid fruit damage and to maximise the operating time.

Insert / change fruit crate

1. To change the collection container, first open the rear flap (8) by pressing with your foot on the metal plate with the word „Open“.
2. The tailgate (8) swings open.
3. Now tilt the unit downwards until the box frame (10) rests on the ground and on the floor and push the unit forward. The collection container slides backwards out of the box frame (10).



4. After emptying the contents of the box, you can reinsert the empty collection container back into place.
5. To close the tailgate (8), press the „Close“ label with your foot until the hinge engages.
6. The crate storage (9) on the top of the unit is used to carry empty crates. The top of the unit, where up to 3 additional empty collection containers can be transported with the unit.



Tips on driving behaviour



From the outside to the inside: When collecting, work preferably from the outside inwards to avoid running over the fruit.



Driving backwards: Small fruits up to approx. 5 cm in diameter and nuts can also be optimally collected by driving backwards with the collecting roller (3) rotating. Harvest larger fruits only forwards to avoid injuries from the pick-up grate (11).



Keeping the balance and using the propulsion: The pick-up grate (11) should glide along just above the ground for a power-saving harvest. This balancing is easiest when the collection roller (3) is rotating, as the working position adjusts itself automatically. The rotation of the collecting roller (3) also provides a slight propulsion during harvesting. If the collection behaviour of the implement is insufficient, try pressing the collection roller (3) more firmly into the ground or lifting it more off the ground. The „contact pressure“ of the roller is decisive for the behaviour.

How do you use the Obstraupe?

This QR code leads to an application video:



<http://y2u.be/sOYqnXDjLh4>

Charging the battery

The battery can be charged either directly on the unit or separately. The battery charging socket is located on the opposite side of the ignition lock. For separate charging, see chapter „Switching on/off and removing the battery“.

Charging indicators on the charger:

1. LED display not active = battery is not connected to the charger
2. LED indicator on the charger RED = battery is charging
3. LED indicator on the charger GREEN = battery is fully charged or charger is not connected to the power supply



IMPORTANT!

– To ensure the longevity of the battery, it is necessary to charge the battery every 2-3 months – even outside the harvesting season.



IMPORTANT!

– After harvesting with the Obstraupe, it is important that the battery is switched off again by turning the key to the „OFF“ position, as the battery discharges itself in the „ON“ position.

Warnings

IMPORTANT!

- Do not use or charge the battery at high temperatures.
- Do not short-circuit the positive (+) and negative (-) terminals of the battery.
- Do not immerse the battery in water or acidic liquids, and do not and do not allow it to get wet.
- The battery should be stored in clean, dry conditions.
- Please charge the battery only with the supplied charger.
- Do not place the battery near sources of fire.
- Do not disassemble or deform the battery.
- Avoid excessive physical shock vibration.
- The battery pack should be charged once every 3 months.



CLEANING

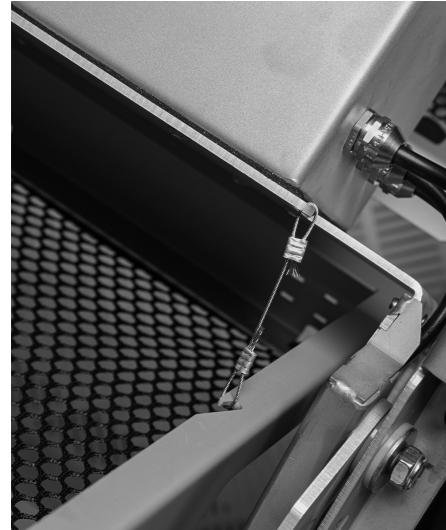


Clean the collection slats **(4)**, the transfer grate **(11)** and the collection containers directly after operation with water and a sponge / brush to prevent possible fruit residues and dirt from drying. You can use a garden hose for these areas, for example.



IMPORTANT!

–
Do not clean the unit with a high-pressure cleaner as there is a risk of damaging the motor **(15)**, the controller as well as the inserted bearings of the collection roller **(3)**. Even when cleaning with a garden hose, make sure that the motor **(15)** and the pedestal bearing **(13)** are not sprayed directly!

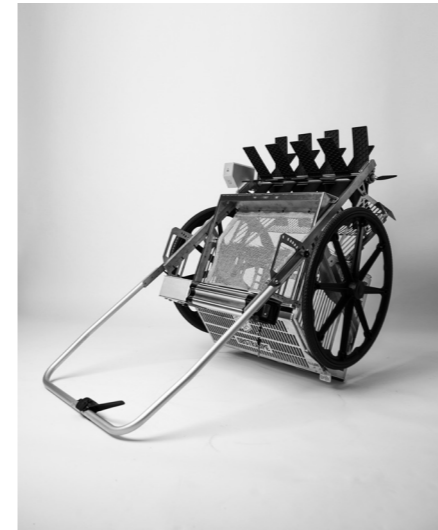


TIPP

–
For easier cleaning, fold up the box bearing **(9)** of the unit and fix it with the wire rope (see picture).

MAINTENANCE AND STORAGE

Position for maintenance work



For the inspection and maintenance of fastening parts of the Obstraupe in the area of the collecting roller **(3)**, we recommend positioning the unit as shown in the picture.

Storage of the fruit picker out of season



1. Always store the Obstraupe when empty.
2. For gentle storage during and outside the season, we recommend we recommend placing the Obstraupe on a collection container. Use an empty collection container and place it upside down. Place the unit so that the collection blades **(4)** do not rest on the ground. The box thus serves as a storage surface for the appliance and helps to the collection blades **(4)** in the long term.



IMPORTANT!

–
For satisfactory operation over many years, make sure that the fruit collection unit is clean and dry. In addition, the unit should be stored as protected as possible from moisture, light, heat and frost. Always make sure that the slats are not bent when storing the fruit picker! Otherwise permanent deformations could occur.

Regular maintenance

- Remove the collection container, clean it from dirt.
- Clean the collection fins (4) and the transfer grate (11).
- Regularly check the strength of all fastening parts.
- Regularly service the plummer block (13) of the roller as described in section „Maintenance of the pedestal bearing“.

End of season maintenance

- Apply a few drops of multi-purpose oil to the pillow block (13) of the collecting roller (3) and the joints of the drive lever (16). Apply a few drops of multi-purpose oil to the drive lever (16).
- Clean and lightly grease all moving parts every year.

Maintenance every two years

- The wheels (12) should be removed every two years and the bearings cleaned.
- Every two years, it must be checked whether there is still sufficient grease in the gearbox of the motor (14). To do this, unscrew the vent cap on the front of the yellow gearbox. If no more grease is visible, fill in a gearbox grease with an operating temperature of 140°C.



NOTE!

– If a part needs to be replaced, only use parts that comply with the manufacturer's technical data. Spare parts that do not comply with the technical data may endanger safety or adversely affect operation.



MAINTENANCE OF THE PILLOW BLOCK

The pedestal bearing (13) of the collecting roller is mounted opposite the engine on the frame of the Obstraupe. It has an enclosure that serves as a grass wrap guard. This is to prevent longer grass from being wrapped around the stub axles of the collecting roller during operation of the Obstraupe. Contamination of these components can lead to problems with their function or signs of wear can occur with prolonged operation of the Obstraupe.

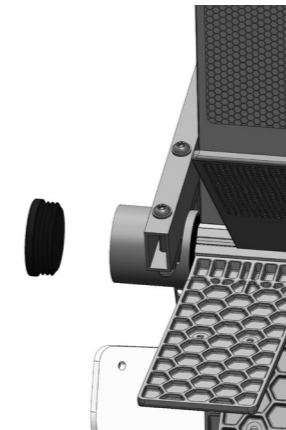
It is therefore important that you regularly service the bearing. To do this, dismantle it completely, remove dirt, clean it of rust and oil it with a few drops of multi-purpose oil. Check the two plastic discs for coarser signs of wear. If the

bearing or the discs need to be replaced, contact us, the spare parts are also available from our online shop.

You can achieve a comfortable working situation by carefully tilting the unit onto the side of the motor and placing it on this side. This way the bearing is easily accessible. Be careful not to damage the motor.

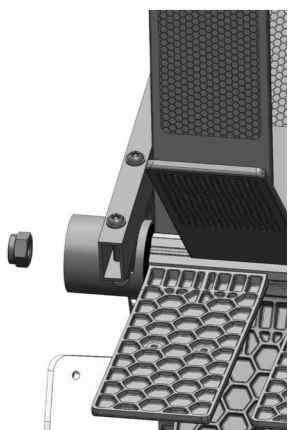
1.

Remove the plastic lid with a flathead screwdriver.



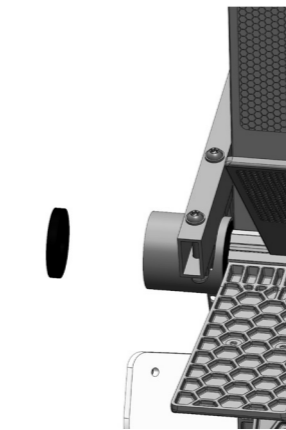
2.

Unscrew the nut behind it with the 19 mm nut.



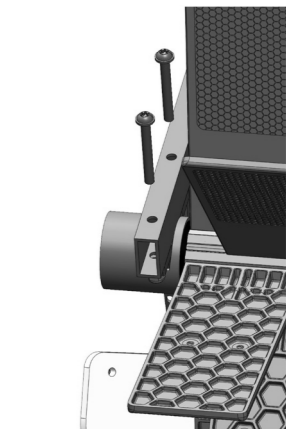
3.

If possible, remove the first plastic washer, if not, pull it off together with the bearing.



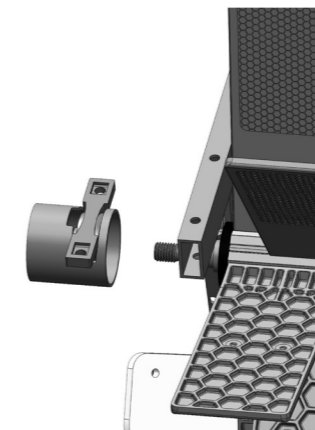
4.

If possible, remove the first plastic washer, if not, pull it off together with the bearing.



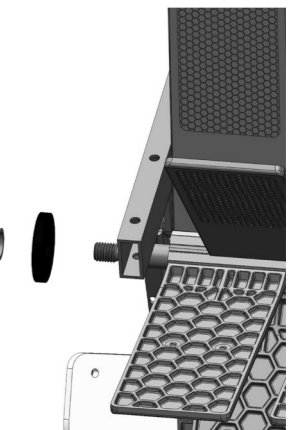
5.

Pull the bearing together with the grass wrap guard off the stub axle of the roller.



6.

Pull off the metal spacer ring and the second plastic washer.



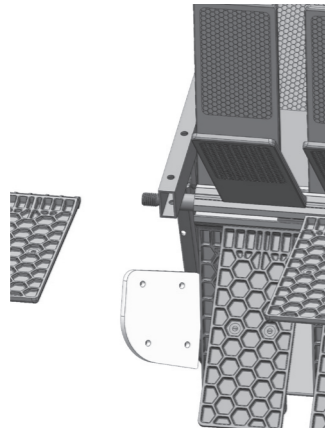
CHANGING SLATS

If you need to replace one or more of the plastic slats, this is easy to do. You have received two spare slats with the unit. If you need more slats, you can order them from our online shop.

To do this, turn the roller so that the damaged slat you want to replace is positioned in the lower front area of the roller. This is the position in which the slat does not touch the floor during operation. Now carefully place the unit on the side of the electric motor. Then dismantle the pillow block (13) as described in the previous chapter.

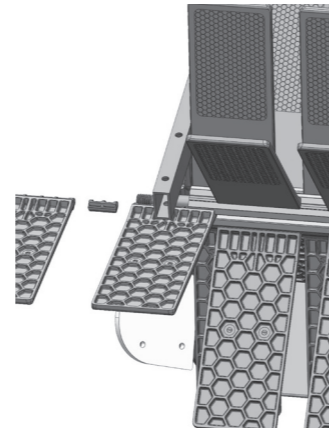
1.

As soon as the pedestal bearing is removed, you can already push all the slats of the relevant row upwards out of the groove of the aluminium profile.



2.

Now replace the broken slat and reassemble all components in reverse order.



If you are replacing all the slats, do this one row at a time. To do this, you have to keep turning the roller at a slow speed to allow access to all rows.



NOTE!

- Always pay attention to the orientation and positioning of the slats:
 - The smooth side of the slats must always meet the collection material.
 - One slat and one spacer must always be inserted alternately into the grooves. grooves alternately.
 - The rows start alternately with a spacer or a slat so that the slats so that the slats are always staggered from row to row.

DISPOSAL



Old appliances must not be disposed of with household waste!



Batteries and rechargeable batteries must not in the household waste!

Dispose of the packaging according to type. Put cardboard and carton in the waste paper collection and plastic film in the recyclables collection.

Dispose of old appliances separately from household waste, e.g. at a collection point in your municipality / district (applicable in the European Union and other European countries with systems for the separate collection of recyclable materials).

Should you ever no longer use the fruit collection device, you can still sell it privately as second-hand goods. In addition, every consumer is legally obliged to dispose of old appliances separately from household waste, e.g. at a collection point in their municipality / district.

As a consumer, you are legally obliged to hand in all batteries and rechargeable batteries, regardless of whether they contain harmful substances or not, to a collection point in your municipality/borough or to a retailer, so that they can be recycled in an environmentally friendly manner. recycling so that they can be disposed of in an environmentally friendly way.

8 – CE

We, the

Organic Tools GmbH
Arnethgasse 42/11
A-1160 Vienna

hereby declare that our product Obstraupe Silver Fox 04

complies with all relevant provisions of the Machinery Directive 2006/42/EC.

Legally valid signature

David Brunmayr, Lukas Griesbacher, Stefan Bermadinger
Geschäftsführer Organic Tools GmbH



ORGANIC TOOLS GMBH
ARNETHGASSE 42/11, A-1160 WIEN
+43/0/670 404 707 4, INFO@ORGANIC-TOOLS.COM
WWW.ORGANIC-TOOLS.COM
UID: ATU73026619, FN: 486700 K

9 – WARRANTY AND GUARANTEE CONDITIONS



NOTE!

– Independent conversion and repair work that is not described in these instructions will result in the loss of the warranty claim.

Warranty

2 years from date of invoice
1 year on the Li-Ion battery

Guaranty

5 years on the frame from date of invoice after registration on our homepage within 3 months from date of invoice at:
www.organic-tools.com/erweitertegarantie

Costs: Free repair or, if necessary, replacement in the event of a warranty or guarantee claim. Transport costs to the place of repair are borne by the buyer.



NOTE!

– Before sending in your unit, please contact us by phone or email. Depending on the problem, a service technician may be able to visit you or a solution may be found with a local workshop.

Exclusion of warranty and Warranty conditions

This does not apply to damage caused by:

- Accident or unforeseen events (e.g. lightning, water, fire).
- Improper use or transport
- Disregard of the safety and maintenance instructions
- Other improper handling or modification

Repairs after expiry of the Warranty period

After the warranty period has expired, you have the option of having repairs carried out at the service centre at a charge. If the repair or the cost estimate is not free of charge for you, you will be notified in advance.

In countries where a (compulsory) warranty and / or spare parts storage and / or a compensation scheme are prescribed by law, the minimum conditions prescribed by law apply.



IM AUFTRAG DER NATUR



David Brunmayr
Co-Founder
david@organic-tools.com

Stefan Bermadinger
Co-Founder
stefan@organic-tools.com

Lukas Griesbacher
Co-Founder
lukas@organic-tools.com

ORGANIC TOOLS GMBH

WWW.ORGANIC-TOOLS.COM

ARNETHGASSE 42/11
A-1160 WIEN
+43 / 0 / 670 404 707 4
INFO@ORGANIC-TOOLS.COM



